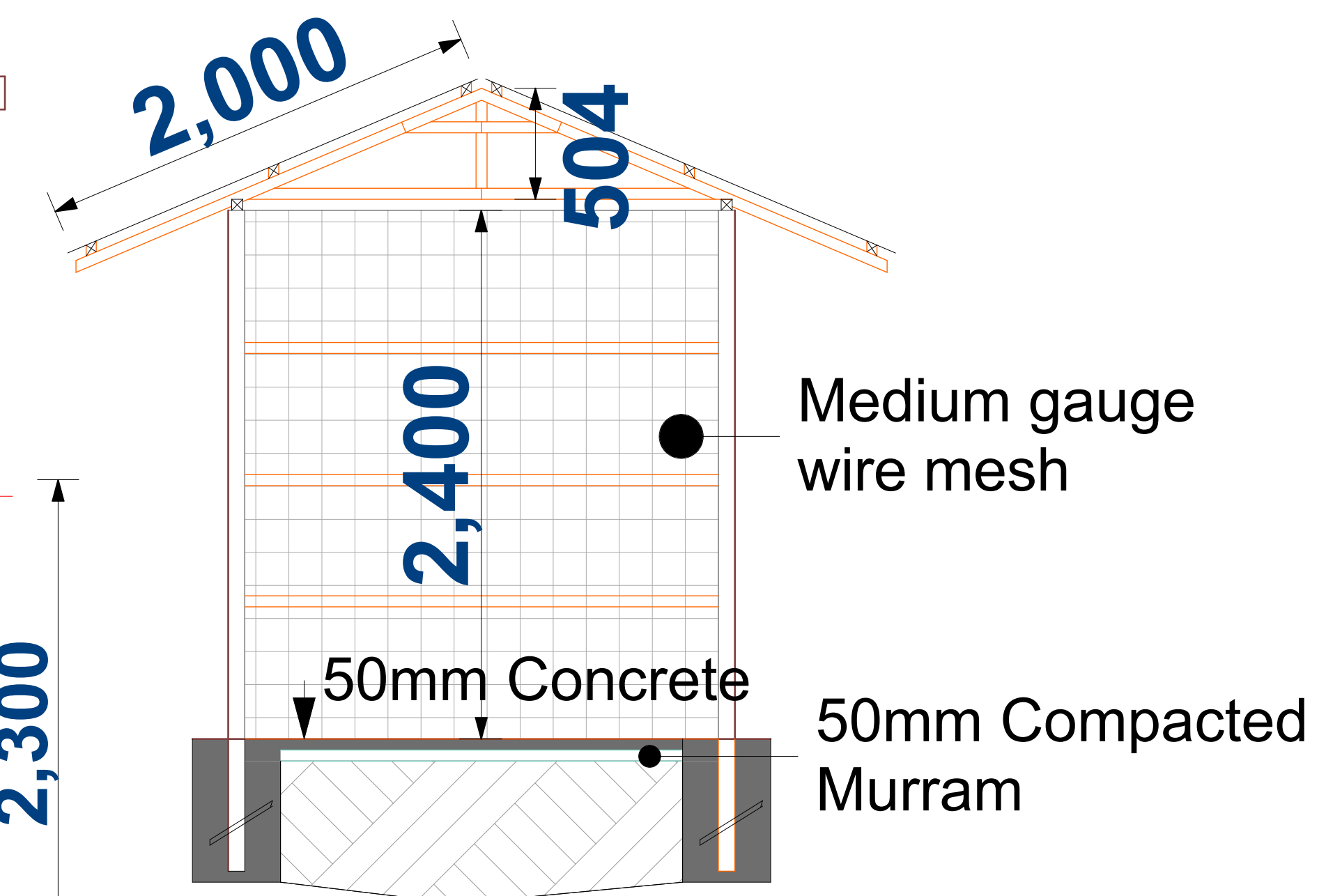
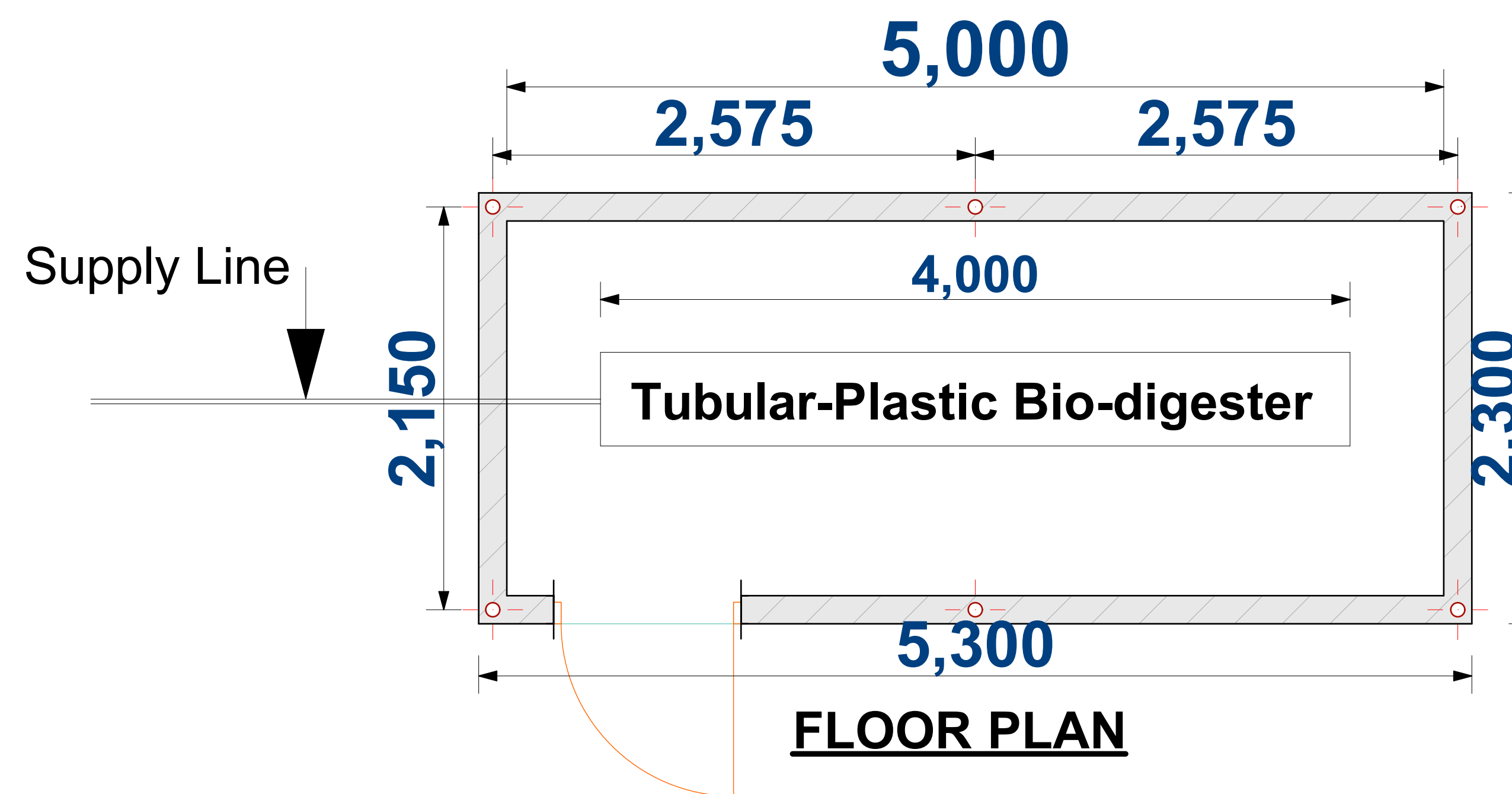


**ROOF SPECIFICATIONS**(pitch 23°)

Ordinary roofing sheets G30 on 75x50mm purlins on 100x50mm rafters, struts and ties, collar tie, king post, 100x50mm tie beam over 100x50mm wall plate fixed on to the wall with hoop iron at 600mm c/c.



**FOUNDATION NOTES**

Floor finish on cement sand screed on 50mm thick concrete floor slab (mix 1:3:6) on Well compacted 50mm Murrum.

**General**

This drawing is to be read in conjunction with engineers' drawings.  
All dimensions are in mm unless otherwise specified.  
Drawings are not to be scaled. Only figured dimensions to be used.  
The contractor must check & verify all the dimensions before commencement of the work

**Construction**

All slabs at ground level to be laid over 1000 gauge polythene sheeting on 50mm thick murrum blinding.  
All soils under slabs & around external foundation to be poised for the termites control

**Structural**

All black cotton soil to be removed from below all building & paved surfaces.

Client  
AAHI Kakuma

Project  
THE PROPOSED TUBULAR PLASTIC BIO-DIGESTER  
GAS-ROOM

scale : 1 : 100

Title **BIO-DIGESTER ELEVATIONS**